

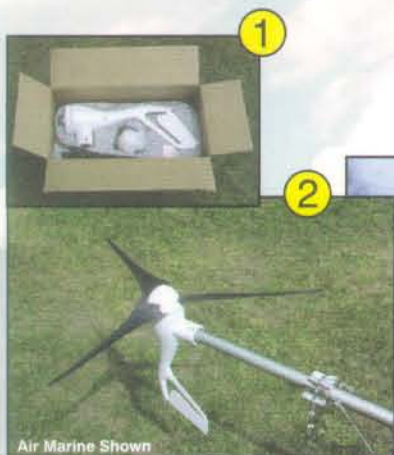
It's Never Been So Easy To Install an



Introducing the ALL NEW...

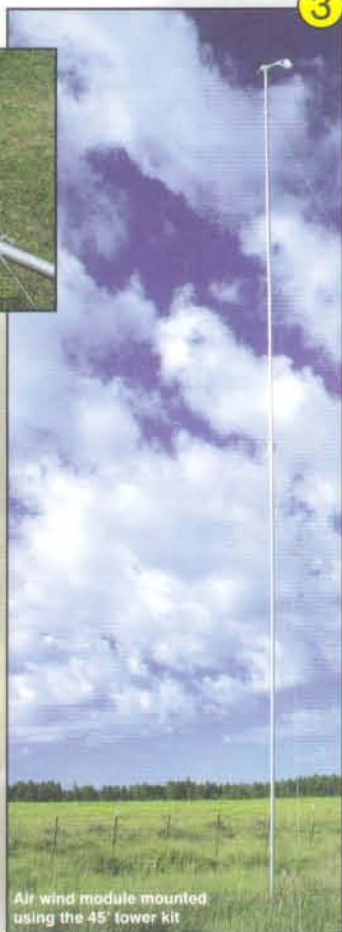
AIR Tower™

...A Revolution in Tower Design



The \$54 Tower Kit

(27' tower)



Air wind module mounted using the 45' tower kit

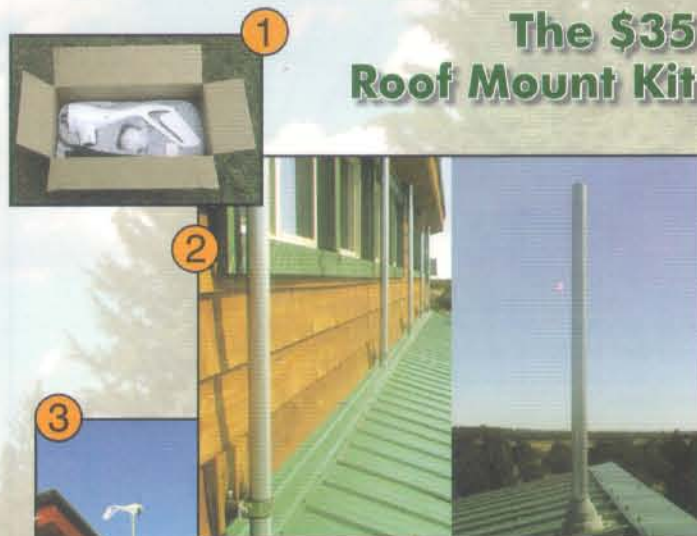
- × Installs in a few hours.
- × No Cement.
- × No Gin Pole. (27' tower)
- × No Winching.
- × No Effort.
- × NO SWEAT!
- × Includes everything except pipe and anchors.
- × 45' tower kit includes gin pole hardware.

Been thinking about an **AIR** wind module? Now is the time to get one (or several)... Here is how it works:

From now until January 31, 2000, you can buy an **AIR** wind module together with a tower or roof mount kit for one incredible low price:

AIR Wind Module & 27' Tower	\$649.00
AIR Wind Module & 45' Tower	\$745.00
AIR Wind Module & Roof Mount	\$630.00

Towers not sold separately during this offer.



The \$35 Roof Mount Kit



Air Marine Shown

No room for a tower?

- × Simple roof top tower mount offers easy installation for your **AIR** wind module.
- × Design includes vibration isolation mounts that reduce mechanically transmitted noise by 80%.
- × Installs on the side of a building or through the roof.
- × Includes everything except pole and mounting bolts.

Southwest Windpower
Renewable Energy Made Simple

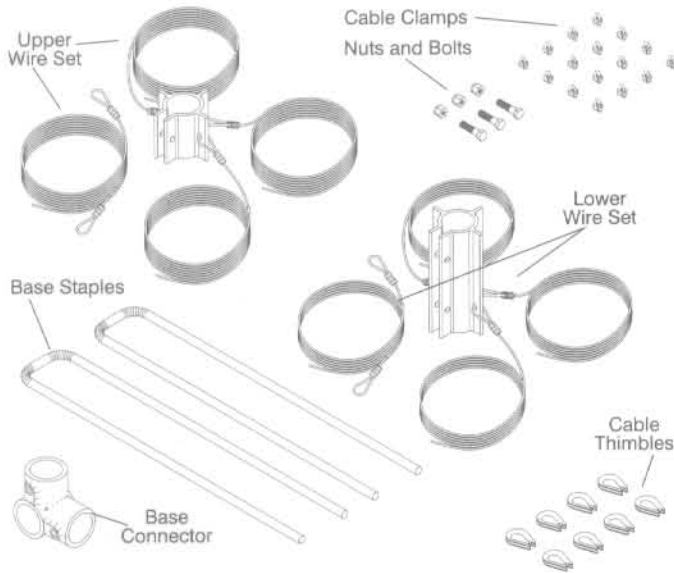
AIR Tower™

A Revolution in Tower Design



Guyed Tower Kit

Kits include:	27 ft (8 m)	45 ft (14 m)
Base Connector	1	1
Upper Wire Set (280 ft. pre-cut)	0	1
Lower Wire Set (160 ft. pre-cut)	1	1
Base Staples	2	2
3/8" x 1 1/2" Bolt	2	3
3/8" Locknut	2	3
Cable Thimbles	4	8
Cable Clamps	8	16



Part numbers:

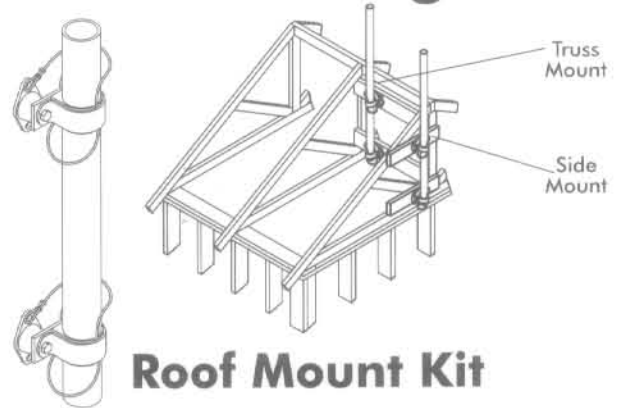
27 ft. AIR	TOW-27-A
45 ft. AIR	TOW-45-A
36" auger set (4) for 27ft.	TOW-AUG-36
48" auger set (4) for 45ft.	TOW-AUG-48

Pipe Requirements

Tower Kits use 1-7/8 inch (47.5 mm) Steel Tubing

Maximum Wind Speed

Wall Thickness	27' Tower	45' Tower
.065" (1.6 mm)	90mph (40 m/s)	84 mph (34 m/s)
.090" (2.3 mm)	100 mph (44 m/s)	96 mph (42 m/s)
.145" (3.7 mm)	120 mph (53 m/s)	120 mph (53 m/s)

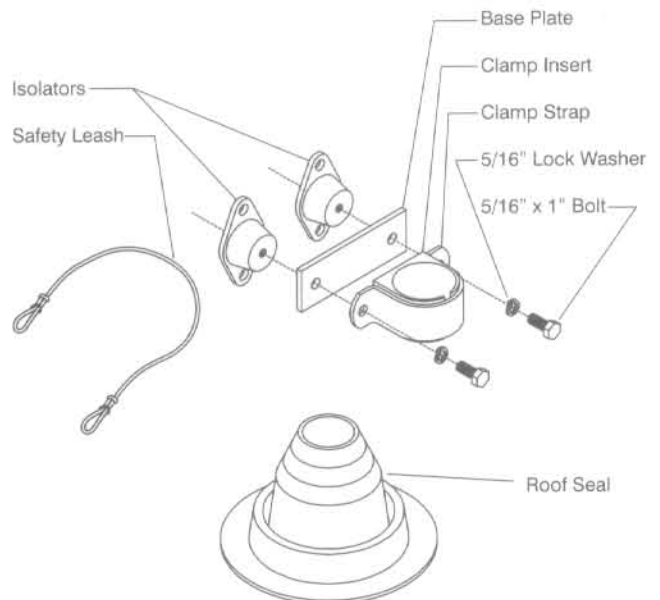


Roof Mount Kit

Kits include:	Quantity
Isolators	4
Base Plates	2
Clamp Sleeves	2
Clamp Straps	2
5/16" x 1" Bolts	4
5/16" Lock Washers	4
Safety Leashes	2
Optional Roof Seal	(1)

Kits include all parts for installation except for 1 7/8" OD (47mm) steel pipe with a .065" (1.6 mm) wall thickness and mounting bolts

Vibration Isolators



Part number:

Roof Mount Kit without Roof Seal	TOW-RA
Roof Mount Kit with Roof Seal	TOW-RMS
Roof Seal Only	TOW-RS